



DOS167 - D2 J3 A 2 BA - EU







Melamine		
<b>D1 M1 N P D2 T U</b>		
Painted metal part		
E A		
Type of telescopic column		
2		
Type of button		
BA	TA TE	MA

Description	Dimensions, inches	Components	Code	Quantity	Item's code	List Price	
<p>Electric height adjustable 2-desk bench</p>	55"x64.5", H=27.5"-47.25"	Desktop	G2A903	2	<b>DOS140</b>	3735	3875
		Fixed metal frame	G2R139	2			
		Set of desk control parts	G6F356	2			
		Set of metal legs (2pcs.)	G3A067	2			
		Metal leg's connection	G3A069	2			
<p>Electric height adjustable 2-desk bench</p>	63"x64.5", H=27.5"-47.25"	Desktop	G2A904	2	<b>DOS160</b>	3780	3920
		Fixed metal frame	G2R140	2			
		Set of desk control parts	G6F356	2			
		Set of metal legs (2pcs.)	G3A067	2			
		Metal leg's connection	G3A069	2			
<p>Electric height adjustable 2-desk bench with cut-out for grommet (ZNZ010 must be ordered)</p>	55"x64.5", H=27.5"-47.25"	Desktop with cut-out for grommet	G2A905	2	<b>DOS141</b>	3750	3885
		Fixed metal frame	G2R139	2			
		Set of desk control parts	G6F356	2			
		Set of metal legs (2pcs.)	G3A067	2			
		Metal leg's connection	G3A069	2			
<p>Electric height adjustable 2-desk bench with cut-out for grommet (ZNZ010 must be ordered)</p>	63"x64.5", H=27.5"-47.25"	Desktop with cut-out for grommet	G2A906	2	<b>DOS161</b>	3790	3930
		Fixed metal frame	G2R140	2			
		Set of desk control parts	G6F356	2			
		Set of metal legs (2pcs.)	G3A067	2			
		Metal leg's connection	G3A069	2			
<p>Electric height adjustable 2-desk bench with cut-out (scallop) for wire management</p>	55"x64.5", H=27.5"-47.25"	Desktop with cut-out (scallop) for wire	G2A907	2	<b>DOS142</b>	3735	3875
		Fixed metal frame	G2R139	2			
		Set of desk control parts	G6F356	2			
		Set of metal legs (2pcs.)	G3A067	2			
		Metal leg's connection	G3A069	2			
<p>Electric height adjustable 2-desk bench with cut-out (scallop) for wire management</p>	63"x64.5", H=27.5"-47.25"	Desktop with cut-out (scallop) for wire	G2A908	2	<b>DOS162</b>	3790	3930
		Fixed metal frame	G2R140	2			
		Set of desk control parts	G6F356	2			
		Set of metal legs (2pcs.)	G3A067	2			
		Metal leg's connection	G3A069	2			
<p>Electric height adjustable 2-desk bench with sliding desktop</p>	55"x64.5", H=27.5"-47.25"	Sliding desktop	G2A909	2	<b>DOS143</b>	3800	3940
		Metal frame with slide function	G2R141	2			
		Set of desk control parts	G6F356	2			
		Set of metal legs (2pcs.) for desks with sliding desktop	G3A068	2			
		Metal leg's connection	G3A069	2			
<p>Electric height adjustable 2-desk bench with sliding desktop</p>	63"x64.5", H=27.5"-47.25"	Sliding desktop	G2A910	2	<b>DOS163</b>	3835	3970
		Metal frame with slide function	G2R142	2			
		Set of desk control parts	G6F356	2			
		Set of metal legs (2pcs.) for desks with sliding desktop	G3A068	2			
		Metal leg's connection	G3A069	2			





Melamine A		
D1 M1 N P D2 T U		
Melamine B		
M1 J3		
Painted metal part		
E A		
Type of telescopic column		
2		
Type of button		
BA	TA TE	MA

Description	Dimensions, inches	Components	Code	Quantity	Item's code	List Price	
 <p>Electric height adjustable 2-desk bench with one open metal leg and one panel leg.</p>	55"x64.5", H=27.5"-47.25"	Desktop	G2A903	2	DOS144	3965	4105
		Fixed metal frame	G2R139	2			
		Set of desk control parts	G6F356	2			
		Set of metal legs (2pcs.)	G3A067	1			
		Metal leg's connection	G3A069	1			
		Panel leg	G1G005	1			
 <p>Electric height adjustable 2-desk bench with one open metal leg and one panel leg.</p>	63"x64.5", H=27.5"-47.25"	Desktop	G2A904	2	DOS164	4010	4150
		Fixed metal frame	G2R140	2			
		Set of desk control parts	G6F356	2			
		Set of metal legs (2pcs.)	G3A067	1			
		Metal leg's connection	G3A069	1			
		Panel leg	G1G005	1			
 <p>Electric height adjustable 2-desk bench with one open metal leg and one panel leg. Desktops with cut-out for grommet (ZNZ010 must be ordered).</p>	55"x64.5", H=27.5"-47.25"	Desktop with cut-out for grommet	G2A905	2	DOS145	3975	4115
		Fixed metal frame	G2R139	2			
		Set of desk control parts	G6F356	2			
		Set of metal legs (2pcs.)	G3A067	1			
		Metal leg's connection	G3A069	1			
		Panel leg	G1G005	1			
 <p>Electric height adjustable 2-desk bench with one open metal leg and one panel leg. Desktops with cut-out for grommet (ZNZ010 must be ordered).</p>	63"x64.5", H=27.5"-47.25"	Desktop with cut-out for grommet	G2A906	2	DOS165	4020	4160
		Fixed metal frame	G2R140	2			
		Set of desk control parts	G6F356	2			
		Set of metal legs (2pcs.)	G3A067	1			
		Metal leg's connection	G3A069	1			
		Panel leg	G1G005	1			
 <p>Electric height adjustable 2-desk bench with one open metal leg and one panel leg. Desktops with cut-out (scallop) for wire management.</p>	55"x64.5", H=27.5"-47.25"	Desktop with cut-out (scallop) for wire management	G2A907	2	DOS146	3965	4105
		Fixed metal frame	G2R139	2			
		Set of desk control parts	G6F356	2			
		Set of metal legs (2pcs.)	G3A067	1			
		Metal leg's connection	G3A069	1			
		Panel leg	G1G005	1			
 <p>Electric height adjustable 2-desk bench with one open metal leg and one panel leg. Desktops with cut-out (scallop) for wire management.</p>	63"x64.5", H=27.5"-47.25"	Desktop with cut-out (scallop) for wire management	G2A908	2	DOS166	4020	4160
		Fixed metal frame	G2R140	2			
		Set of desk control parts	G6F356	2			
		Set of metal legs (2pcs.)	G3A067	1			
		Metal leg's connection	G3A069	1			
		Panel leg	G1G005	1			





Electric height adjustable 2-desk bench with one open metal leg, one panel leg and sliding desktops.

55"x64.5", H=27.5"-47.25"	Sliding desktop	G2A909	2	<b>DOS147</b>	4020	4160
	Metal frame with slide function	G2R141	2			
	Set of desk control parts	G6F356	2			
	Set of metal legs (2pcs.)	G3A067	1			
	Metal leg's connection	G3A069	1			
63"x64.5", H=27.5"-47.25"	Panel leg for desks with sliding desktop	G1G006	1	<b>DOS167</b>	4050	4190
	Sliding desktop	G2A910	2			
	Metal frame with slide function	G2R142	2			
	Set of desk control parts	G6F356	2			
	Set of metal legs (2pcs.)	G3A067	1			
	Metal leg's connection	G3A069	1			
	Panel leg for desks with sliding desktop	G1G006	1			



DOS167 - D2 J3 A 2 BA - EU

Melamine A		
<b>D1 M1 N P D2 T U</b>		
Melamine B		
<b>M1 J3</b>		
Painted metal part		
<b>E A</b>		
Type of telescopic column		
<b>2</b>		
Type of button		
<b>BA</b>	<b>T A T E</b>	<b>MA</b>

Description	Dimensions, inches	Components	Code	Quantity	Item's code	List Price
-------------	--------------------	------------	------	----------	-------------	------------



Electric height adjustable 2-desk bench with panel legs.





55"x64.5", H=27.5"-47.25"	Desktop	G2A903	2	<b>DOS148</b>	4195	4335
	Fixed metal frame	G2R139	2			
	Set of desk control parts	G6F356	2			
	Panel leg	G1G005	2			
63"x64.5", H=27.5"-47.25"	Desktop	G2A904	2	<b>DOS168</b>	4215	4355
	Fixed metal frame	G2R140	2			
	Set of desk control parts	G6F356	2			
	Panel leg	G1G005	2			



Electric height adjustable 2-desk bench with panel legs and cut-out for grommet (ZNZ010 must be ordered).

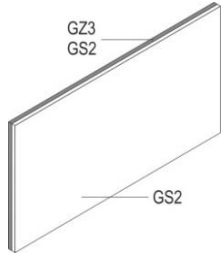
55"x64.5", H=27.5"-47.25"	Desktop with cut-out for grommet	G2A905	2	<b>DOS149</b>	4205	4345
	Fixed metal frame	G2R139	2			
	Set of desk control parts	G6F356	2			
	Panel leg	G1G005	2			
63"x64.5", H=27.5"-47.25"	Desktop with cut-out for grommet	G2A906	2	<b>DOS169</b>	4250	4385
	Fixed metal frame	G2R140	2			
	Set of desk control parts	G6F356	2			
	Panel leg	G1G005	2			



	Electric height adjustable 2-desk bench with panel legs and cut-out (scallop) for wire management.	55"x64.5", H=27.5"-47.25"	Desktop with cut-out (scallop) for wire management	G2A907	2	<b>DOS14A</b>	4195	4335
			Fixed metal frame	G2R139	2			
			Set of desk control parts	G6F356	2			
			Panel leg	G1G005	2			
	Electric height adjustable 2-desk bench with panel legs and cut-out (scallop) for wire management.	63"x64.5", H=27.5"-47.25"	Desktop with cut-out (scallop) for wire management	G2A908	2	<b>DOS16A</b>	4250	4385
			Fixed metal frame	G2R140	2			
			Set of desk control parts	G6F356	2			
			Panel leg	G1G005	2			
	Electric height adjustable 2-desk bench with panel legs and sliding desktops.	55"x64.5", H=27.5"-47.25"	Sliding desktop	G2A909	2	<b>DOS14B</b>	4260	4395
			Metal frame with slide function	G2R141	2			
			Set of desk control parts	G6F356	2			
			Panel leg for desks with sliding desktop	G1G006	2			
	Electric height adjustable 2-desk bench with panel legs and sliding desktops.	63"x64.5", H=27.5"-47.25"	Sliding desktop	G2A910	2	<b>DOS16B</b>	4290	4430
			Metal frame with slide function	G2R142	2			
			Set of desk control parts	G6F356	2			
			Panel leg for desks with sliding desktop	G1G006	2			



2-color screen ordering example (the same fabric collection)



- 1. APK140-GS2 GS2 E - one colour
- 2. APK140-GZ3 GS2 E - two colours

Painted metal part

**E A**

Fabric

Velito Presto

Blazer Lite

GS0 GS1 GS2 GS3  
GS4 GS5 GS6 GS7  
GS8 GS9 GZ1 GZ2  
GZ3 GZ4 GZ5 GZ6  
GZ8 GZ9 GC1 GC3  
GC5  
YB1 YB2 YB3 YB4 YB6  
YV4 YV7

Description	Dimensions, mm	Components	Code	Quantity	Item's code
-------------	----------------	------------	------	----------	-------------

List Price



Acoustic screen for 55"mm length desk	55"x1.6", H=23.75" 21"	Acoustic screen	G4E017	1	<b>APK141</b>
		Metal fittings (2pcs.)	G4F006	1	
Acoustic screen for 63" length desk	63"x1.6", H=23.75" 21"	Acoustic screen	G4E018	1	<b>APK161</b>
		Metal fittings (2pcs.)	G4F006	1	

300

420

335

460

**\*height from desktop 21"**

Painted metal part

**A E**

Fabric

Lucia, Blazer Lite, Velito Presto

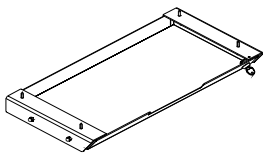
YE1 YE2 YE6 YE7 YE9 YF9 YH3 YH5 YH7 YF0  
YR7 YB1 YB2 YB3 YB4 YB6 YV4 YV7 GS0  
GS1 GS2 GS3 GS4 GS5 GS6 GS7 GS8 GS9  
GZ1 GZ2 GZ3 GZ4 GZ5 GZ6 GZ8 GZ9 GC1  
GC3 GC5

Description	Dimensions, inches	Components	Code	Quantity	Item's code
-------------	--------------------	------------	------	----------	-------------

List Price

Suitable for desk systems:

**EASY; T-EASY; ONE; ONE+; UP!; OPTIMA PLUS; OPTIMA C. MOTION**



Felt-lined metal drawer with lock	.9"x11.5", H=2"	Felt-lined metal drawer with lock	G9084	1	<b>DZZ001</b>
-----------------------------------	--------------------	-----------------------------------	-------	---	---------------

245

List Price

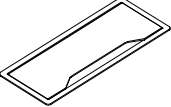





Bluetooth adapter. Allows to adjust wirelessly from the "Desk Control App". Available for Android and IOS.

Bluetooth adapter	G6F354	1	<b>ZZZ051</b>
-------------------	--------	---	---------------

105



Description	Dimensions, inches	Components	Code	Quantity	Item's code	Painted metal part
						E A
						List Price
	12.5"x4.75", H=1.1"	Metal desk grommet	G6F147	1	<b>ZNZ010</b>	60
	47.25"x5.5", H=3"	Central cable tray	G9090	1	<b>DOZ001</b>	165
Central cable tray for L=63" desk. Attached to the leg's connection.	55"x5.5", H=3"	Central cable tray	G9091	1	<b>DOZ002</b>	185
	31"x5.75" H=4"	Cable tray	G9092	1	<b>DOZ003</b>	80
Cable tray for L=123.75mm desk. Attached under the desktop.	38.75"x5.75" H=4"	Cable tray	G9093	1	<b>DOZ004</b>	83
	18"x2.1" / 11.5"x1.7" / H=.9"	Vertical cable tray (455x53, H=23) Horizontal cable tray (295x43, H=23)	G9094 G9095	1 1	<b>ZZZ052</b>	73
Set of vertical and horizontal cable trays attached with magnets. For cable management along the legs.						



Accessories **MOTION**

1/1/2017

							Plastic part	
							E A	
Description	Dimensions, inches	Components	Code	Quantity	Item's code	List Price		
	L=49"	Cable duct (plastic) with metal base	G6F351	1	DOZ005	215		
	L=30"	Cable duct (plastic) with metal base	G6F352	1	DOZ006	155		
	L=39.5"	Cable duct (plastic)	G6F353	1	DOZ007	190		
						Mesh fabric	Fabric	
							Velito	
						GM8 GM9	GT0 GT1 GT2 GT3 GT4 GT5 GT6 GT7 GT8 GT9 GU1 GU2 GU3 GU4 GU5 GU6 GU8 GU9 GP3 GP5 GP1	
						List Price		
	L=49"	Cable wrap	G9A005	1	ZZZ043	35	35	

